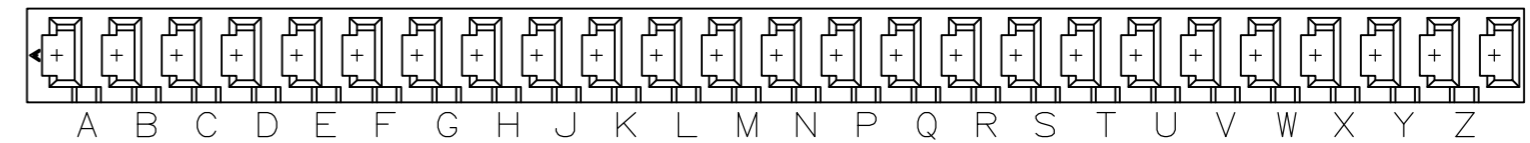
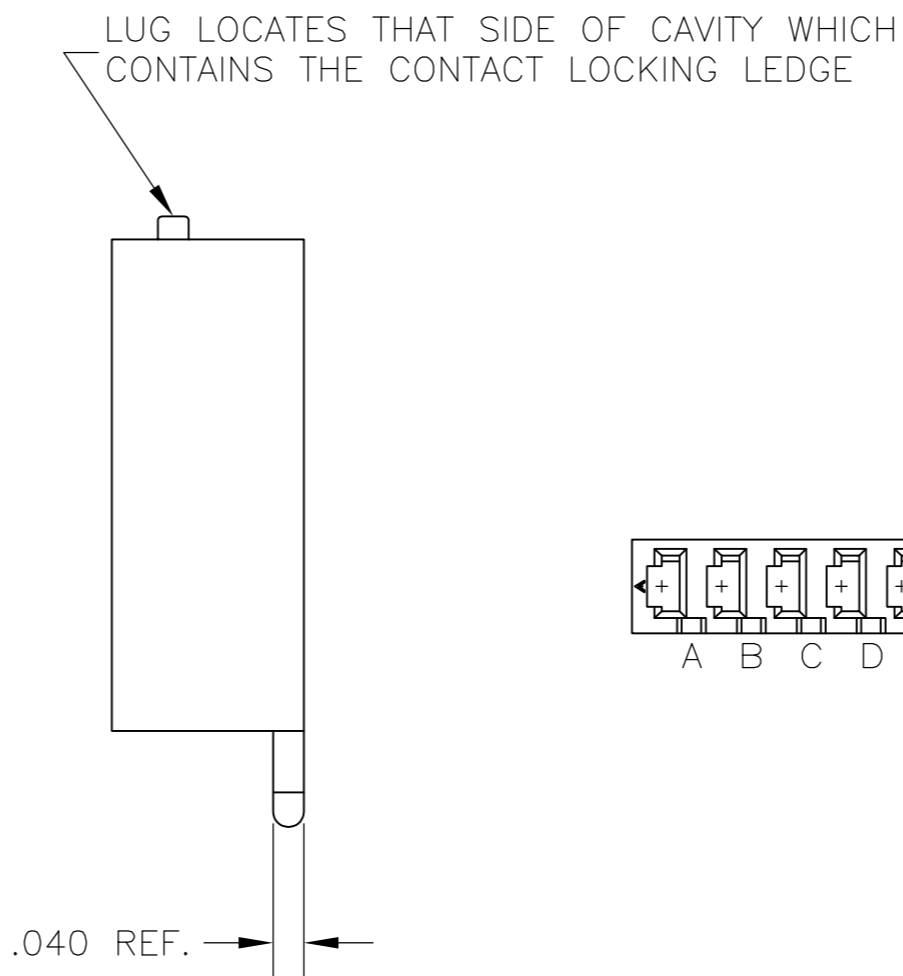
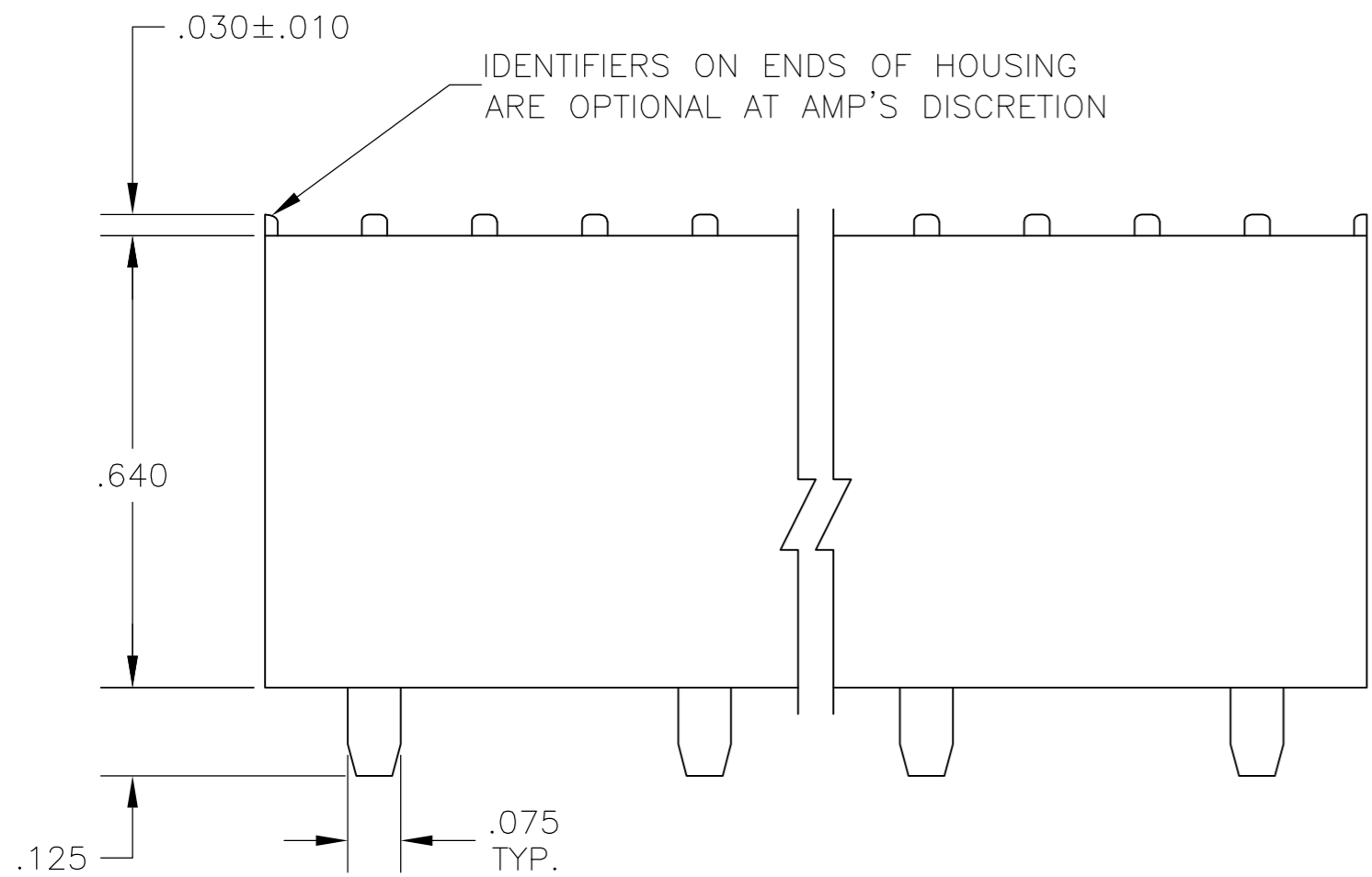
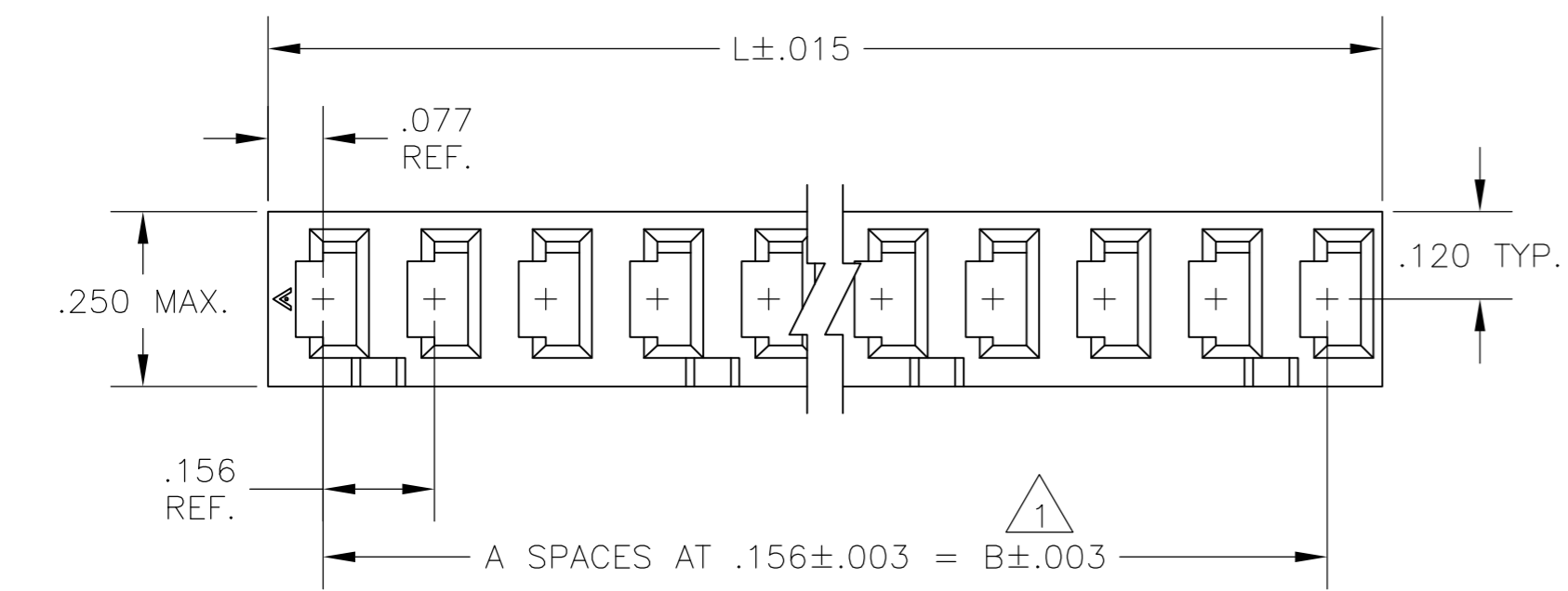


THIS DRAWING IS UNPUBLISHED. RELEASED FOR PUBLICATION
 © COPYRIGHT - By - ALL RIGHTS RESERVED.

LOC	DIST	REVISIONS			
P	LTR	DESCRIPTION	DATE	DWN	APVD
AD	39	K2	REVISED PER ECO-11-004820	11MAR11	RK HMR



KEY LOCATIONS (REF ONLY)



2	OBSOLETE	A,C,E,H,K,M,Q,S,U,W,Y	3.900	3.744	24	11	25	-2=87159-4
	OBSOLETE	A,C,E,G,J,L,N,Q,S,U,W,Y	3.744	3.588	23	12	24	2- -3
	OBSOLETE	A,D,G,K,N,R,U,X	3.588	3.432	22	8	23	2- -2
	OBSOLETE	A,C,E,G,J,L,N,Q,S,U,W	3.432	3.276	21	11	22	2- -1
	OBSOLETE	A,D,G,K,N,R,U	3.276	3.120	20	7	21	2- -0
2	OBSOLETE	A,C,E,G,J,L,N,Q,S,U	3.120	2.964	19	10	20	1- -9
	OBSOLETE	B,D,F,J,L,N,Q,S	2.964	2.808	18	8	19	1- -8
	OBSOLETE	A,D,F,J,P,S	2.808	2.652	17	6	18	1- -7
	OBSOLETE	A,D,G,K,N,R	2.652	2.496	16	6	17	1- -6
	OBSOLETE	A,C,E,G,J,L,N,Q	2.496	2.340	15	8	16	1- -5
	OBSOLETE	A,D,G,K,N	2.340	2.184	14	5	15	1- -4
	OBSOLETE	A,C,E,G,J,L,N	2.184	2.028	13	7	14	1- -3
	OBSOLETE	A,C,E,G,J,L	1.872	1.716	11	6	12	1- -2
	OBSOLETE	A,D,G,K	1.716	1.560	10	4	11	1- -1
	OBSOLETE	A,C,E,G,J	1.560	1.404	9	5	10	1- -0
2	OBSOLETE	A,D,G	1.404	1.248	8	3	9	-9
	OBSOLETE	A,C,E,G	1.248	1.092	7	4	8	-8
	OBSOLETE	A,C,E	1.092	.936	6	3	7	-7
	OBSOLETE	A,C,E	.936	.780	5	3	6	-6
	OBSOLETE	A,C	.624	.468	3	2	4	-5
	OBSOLETE	A	.468	.312	2	1	3	-4
	OBSOLETE	A	.312	.156	1	1	2	-3
	OBSOLETE	A,D,J,M,	2.028	1.872	12	4	13	-2
	OBSOLETE	A,D	.780	.624	4	2	5	87159-1
	KEY LOCATIONS			L	B	A	NO OF KEYS	NO OF POS

- 1 TOLERANCE NON CUMULATIVE
- 2 OBSOLETE PARTS: OBSOLETE CIS STREAMLINING PER D.RENAUD/D.SINISI

THIS DRAWING IS A CONTROLLED DOCUMENT.

DWN	S. SHUEY	8-7-93
CHK	S. SHUEY	8-7-93
APVD	S. SHUEY	8-7-93

TE Connectivity

HOUSING, MOD I, .156 CL.
SINGLE ROW, CRIMP SNAP IN,
KEYED

108-25016
114-25000

SIZE: A2 CAGE CODE: 00779 DRAWING NO: C=87159

SCALE: 4:1 SHEET: 1 OF 1 REV: K2